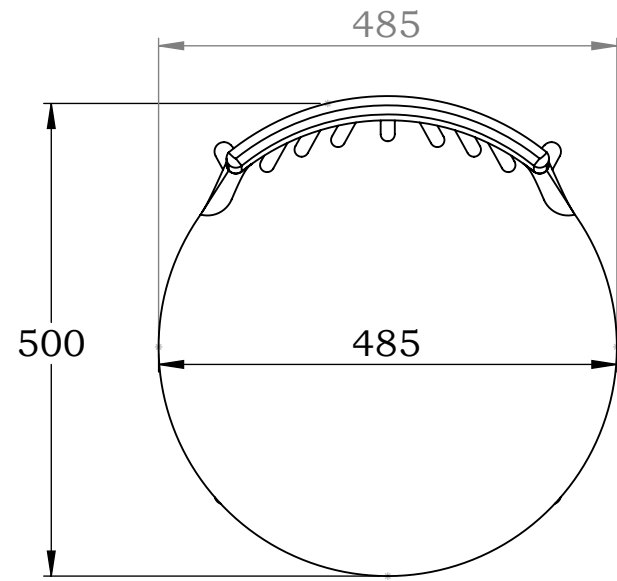
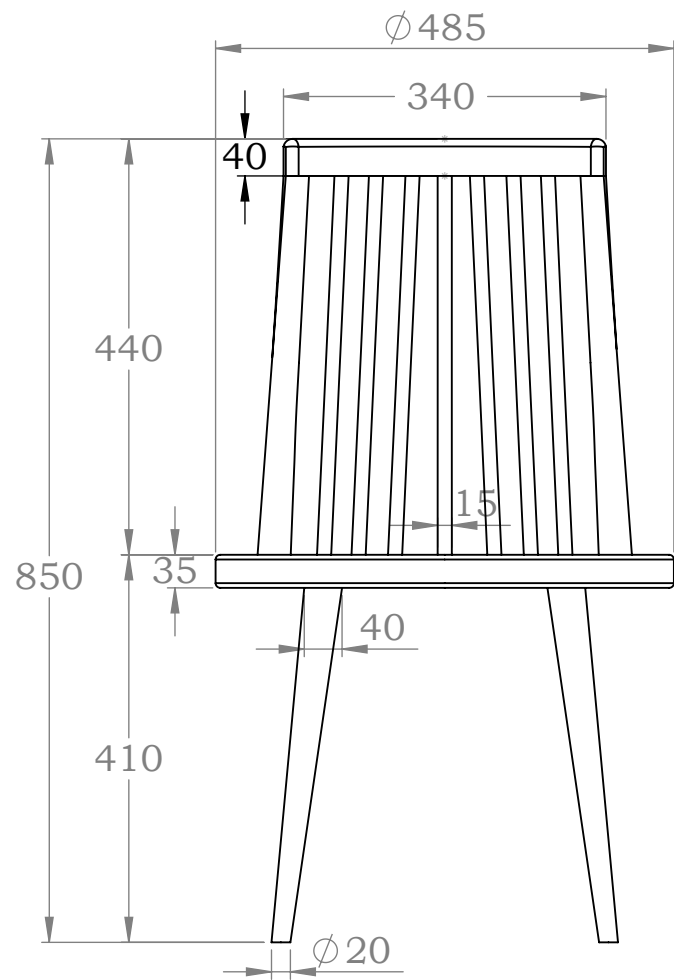


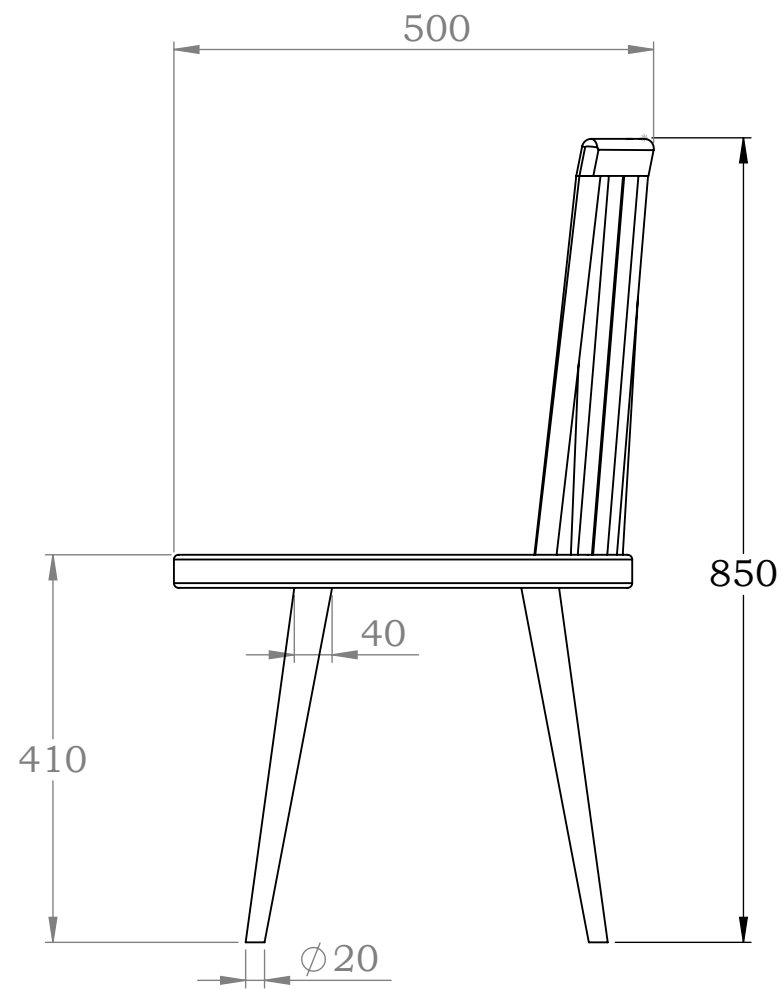
# FLORENCE CHAIR



**TOP VIEW**




**FRONT VIEW**



**SIDE VIEW**



**REF.IMAGE**

UNLESS OTHERWISE SPECIFIED DIMENSIONS ARE IN MILLIMETERS SURFACE FINISH: TOLERANCES: LINEAR: ANGULAR:	DEBUR AND BREAK SHARP EDGES	DO NOT SCALE DRAWING	REVISION
	<b>PROJECT:</b>	DWG NAME:	A3
		<b>FLORENCE</b>	SCALE:
DRAWN BY : <b>RISHABH PANDEY</b>		 furniture & more	
DATE : 03-03-2022			