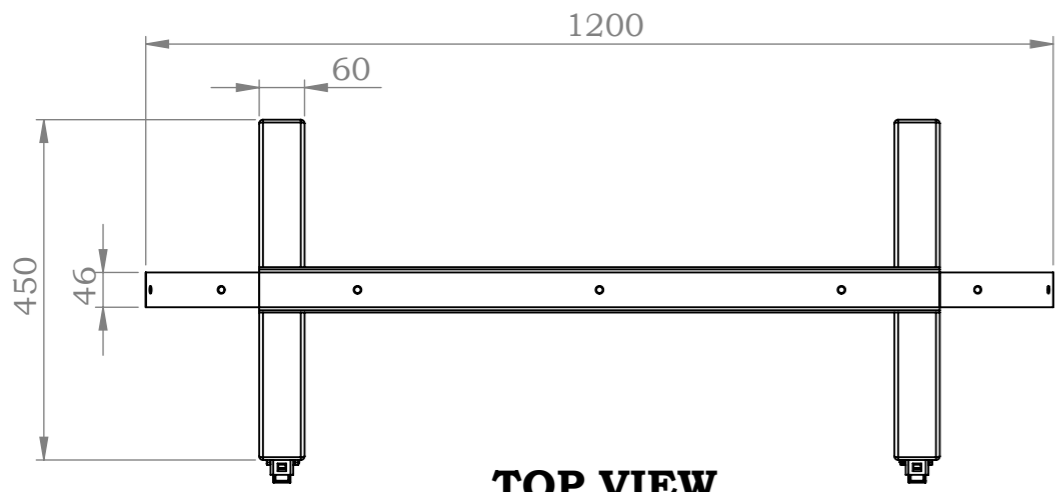
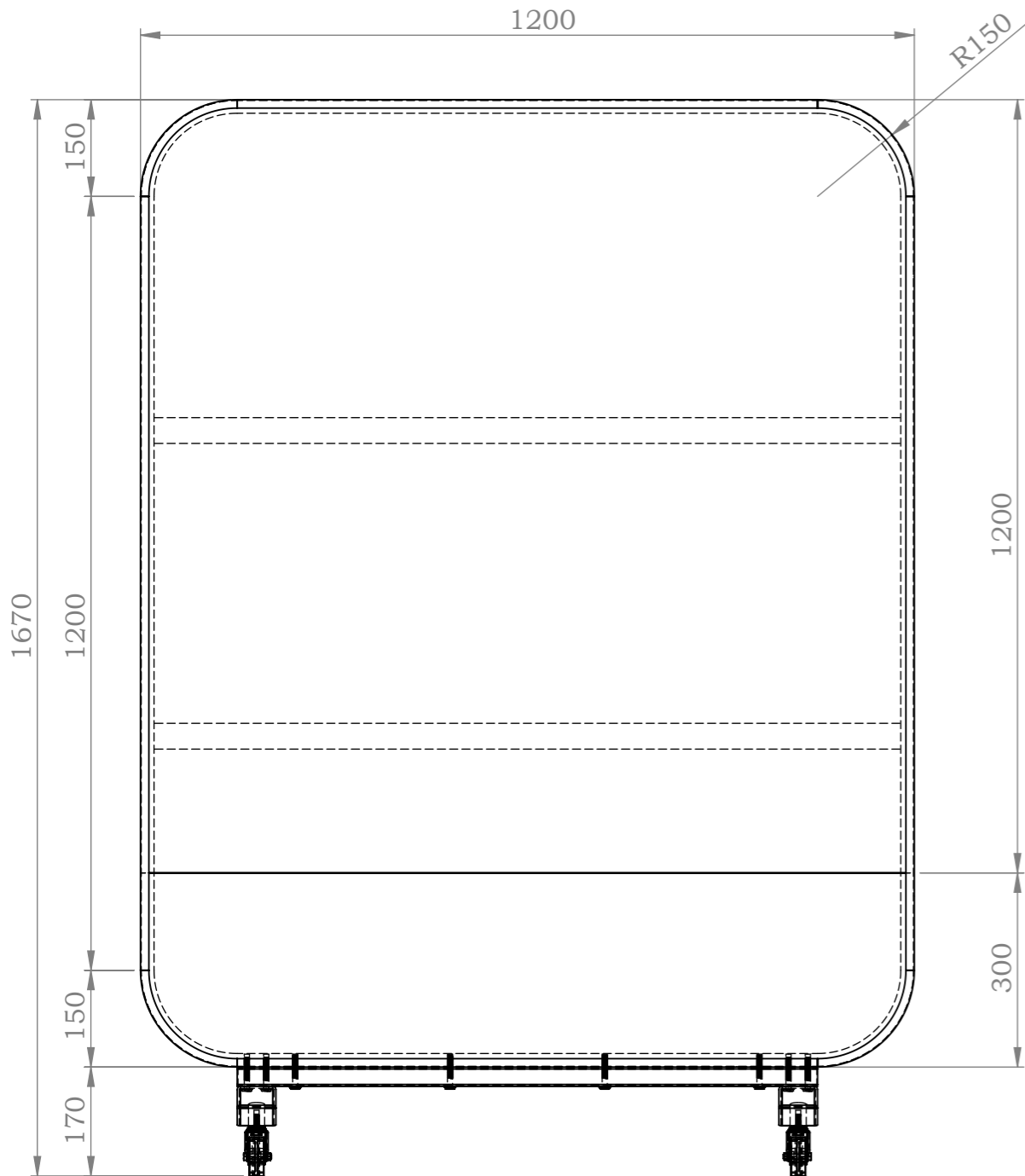


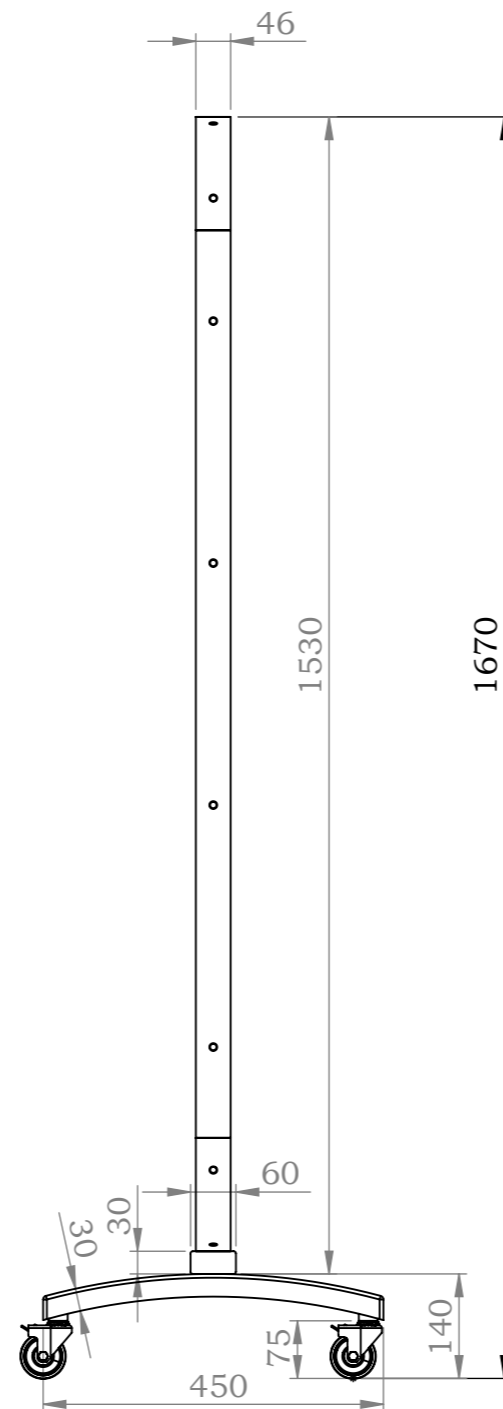
# ACOUSTIC WHITE BOARD - W1200 X D450 X H1670 MM



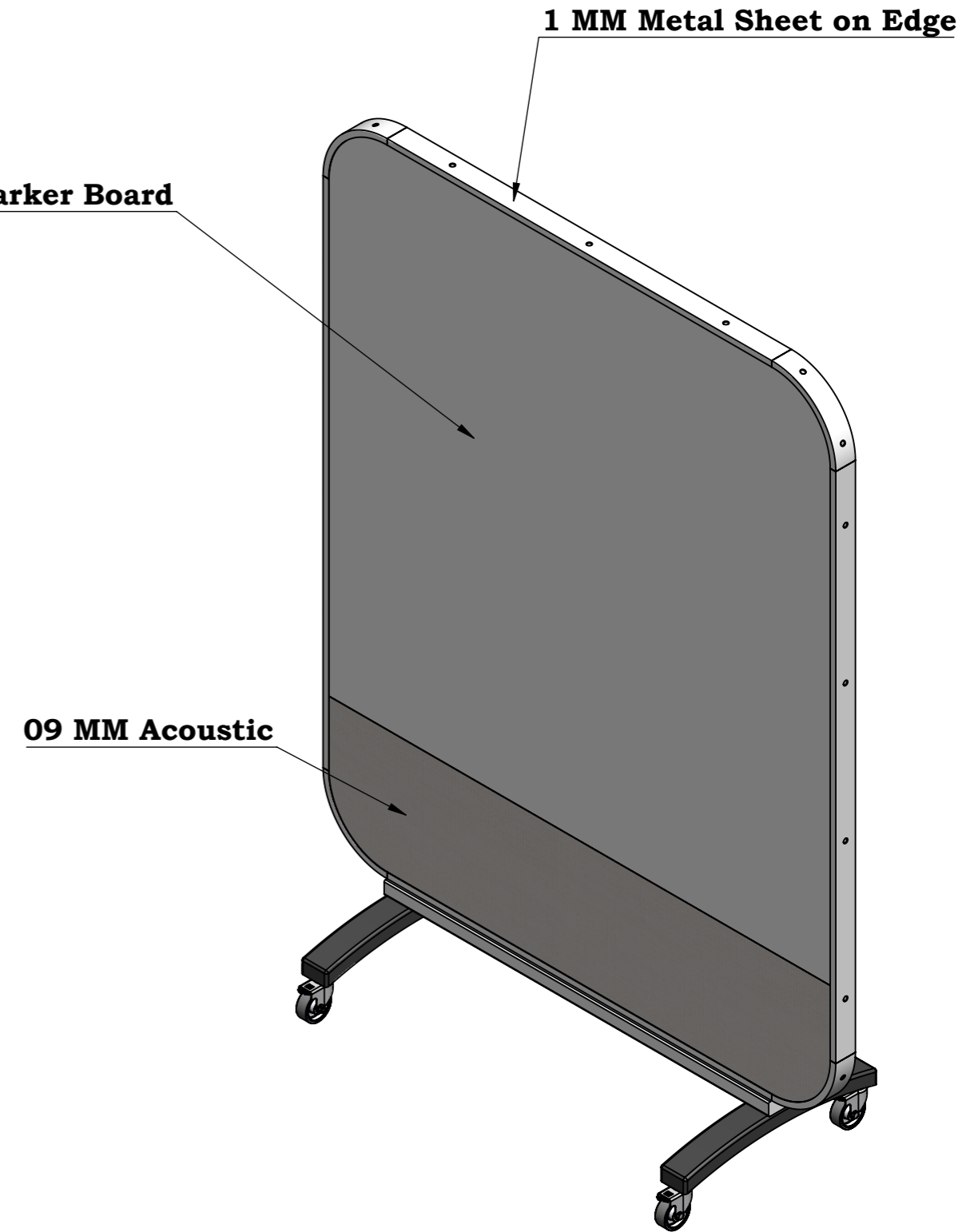
**TOP VIEW**




**FORNT VIEW**



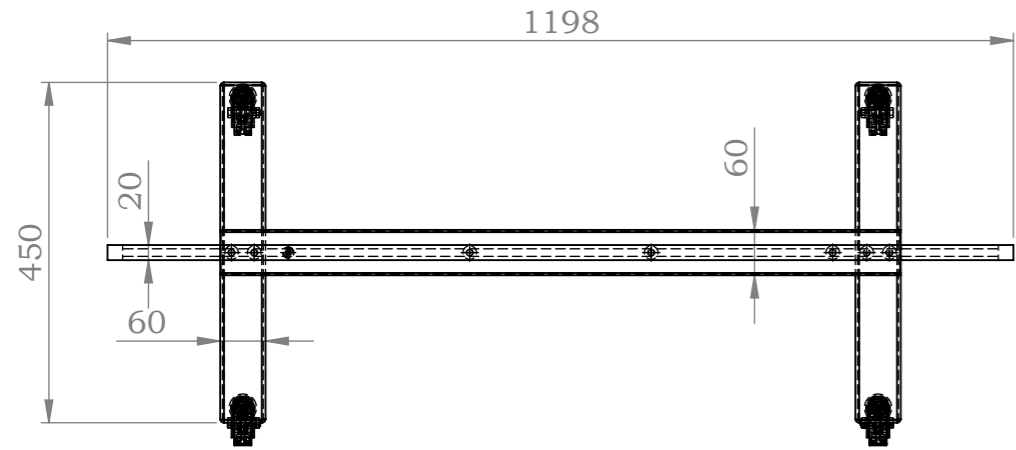
**SIDE VIEW**



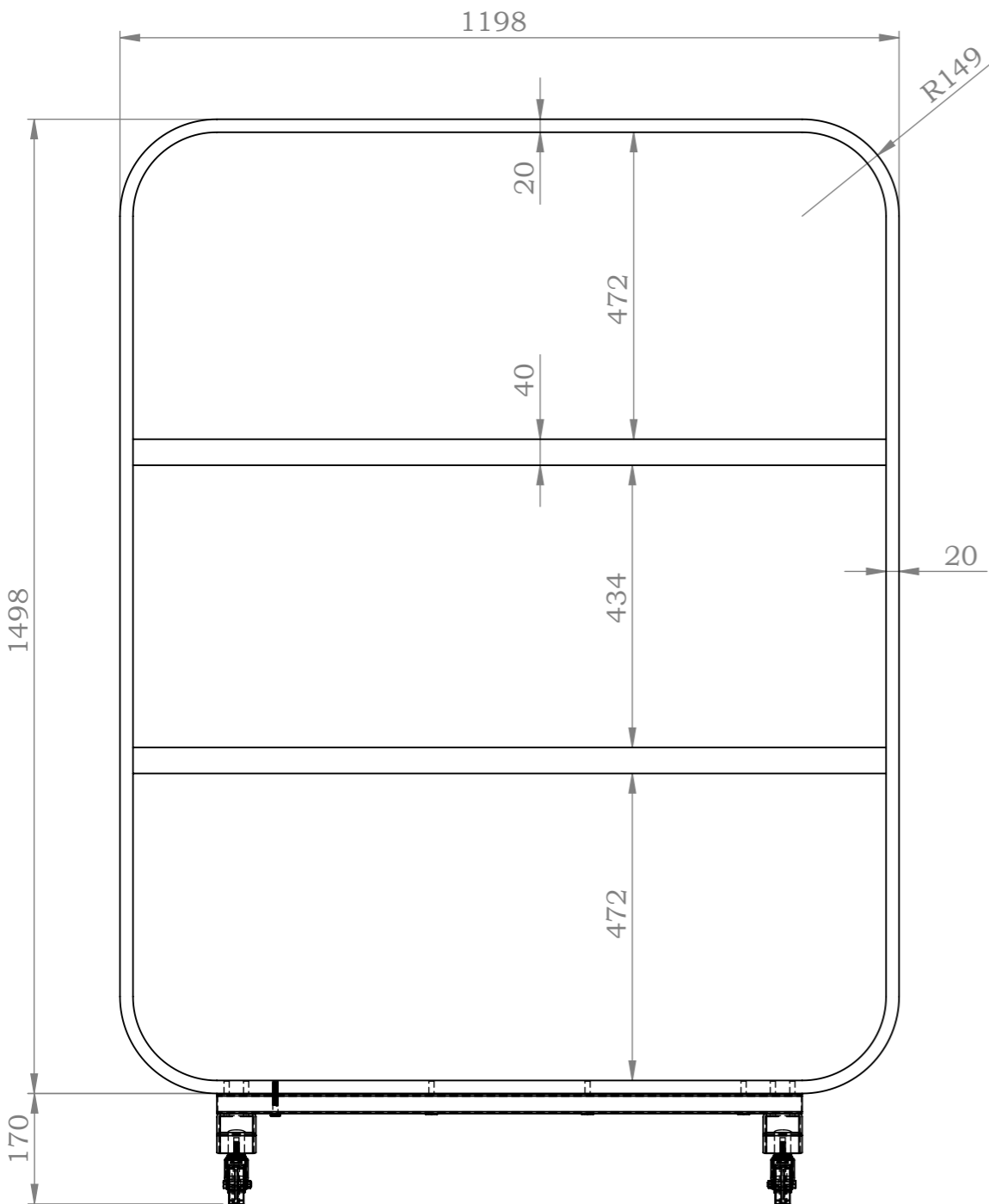
**ISOMETRIC VIEW**

UNLESS OTHERWISE SPECIFID DIMENSION ARE INMILLIMETERS SURFACE FINISH: TOLERANCES: LINEAR:ANGULAR:	DEBUR AND BREAK SHARP EDGES	DO NOT SCALE DRAWING	REVISION
	PROJECT:	DWG NAME: WHITE BOARD	SCALE: A3
DRAWN BY : GYANJEET RAJ		 furniture & more	
DATE : 18-06-2021			

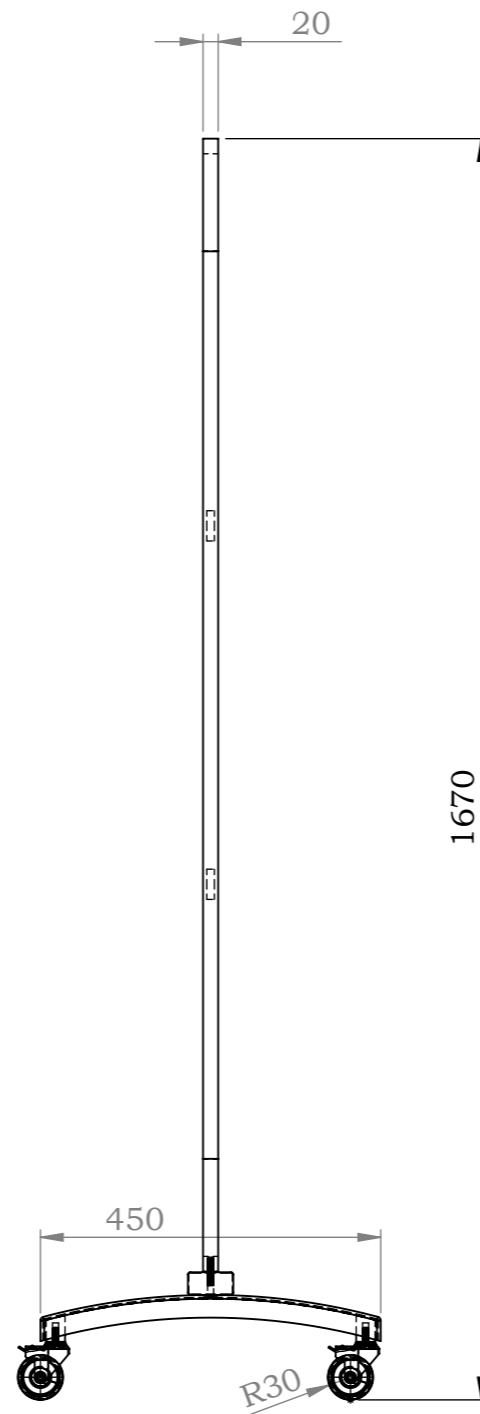
**ACOUSTIC WHITE BOARD - W1200 X D450 X H1670 MM**



**TOP VIEW**



**FORNT VIEW**



**SIDE VIEW**

**20 X 20 MM  
Metal Pipe**


**40 X 10 MM  
Metal Pipe**

**60 X 30 MM  
Metal Pipe**

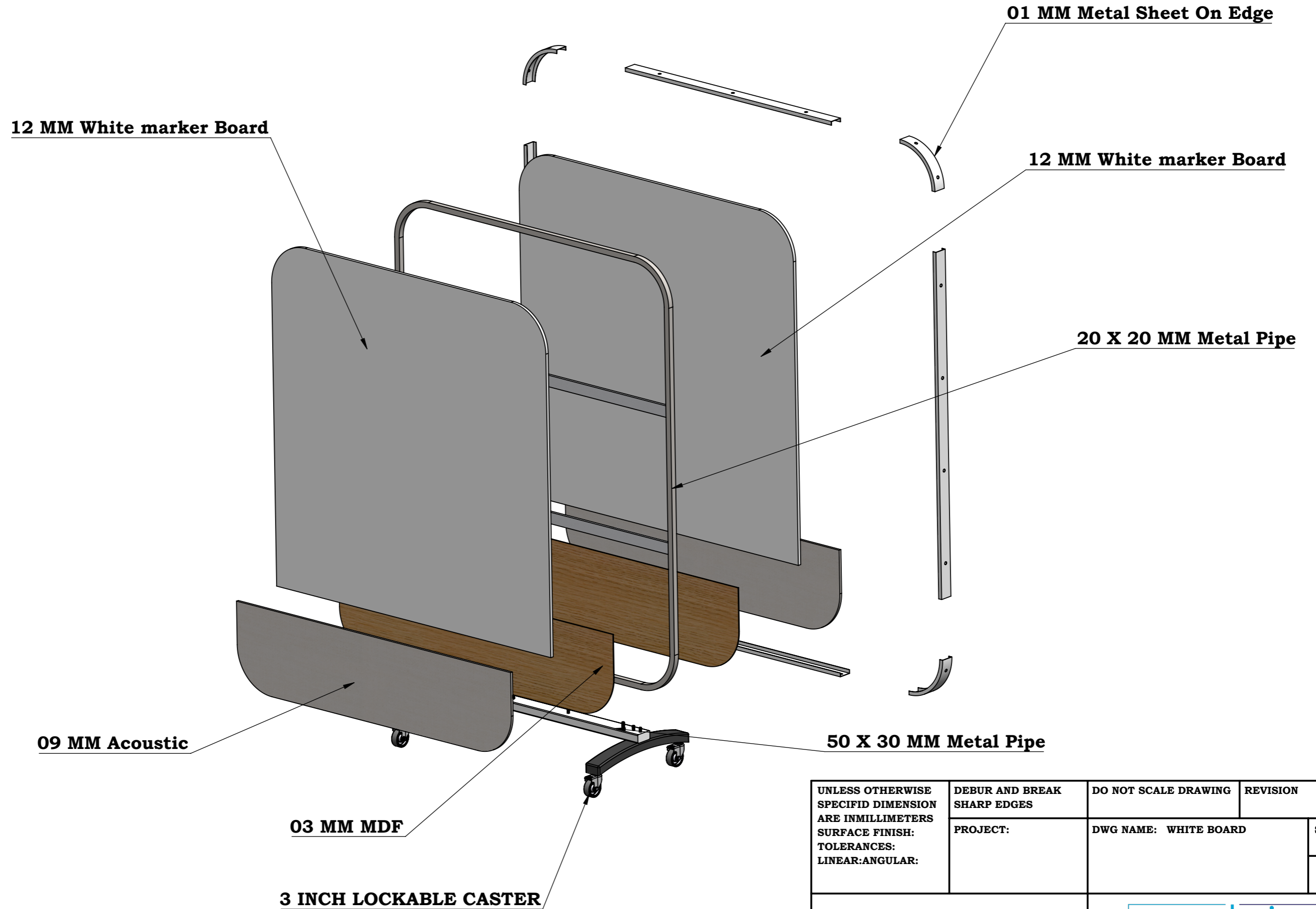
**ALL LOCKABLE CASTER WHEEL  
SIZE - 3 INCH ( 60 MM DIA)**




**ISOMETRIC VIEW**

UNLESS OTHERWISE SPECIFID DIMENSION ARE INMILLIMETERS SURFACE FINISH: TOLERANCES: LINEAR:ANGULAR:	DEBUR AND BREAK SHARP EDGES	DO NOT SCALE DRAWING	REVISION
	PROJECT:	DWG NAME: WHITE BOARD	SCALE: A3
DRAWN BY : GYANJEET RAJ		 furniture & more	
DATE : 18-06-2021			

# ACOUSTIC WHITE BOARD - W1200 X D450 X H1670 MM



UNLESS OTHERWISE SPECIFIED DIMENSIONS ARE IN MILLIMETERS SURFACE FINISH: TOLERANCES: LINEAR:ANGULAR:	DEBUR AND BREAK SHARP EDGES	DO NOT SCALE DRAWING	REVISION
	PROJECT:	DWG NAME: WHITE BOARD	SCALE:
			A3
DRAWN BY : GYANJEET RAJ		 furniture & more	
DATE : 18-06-2021			