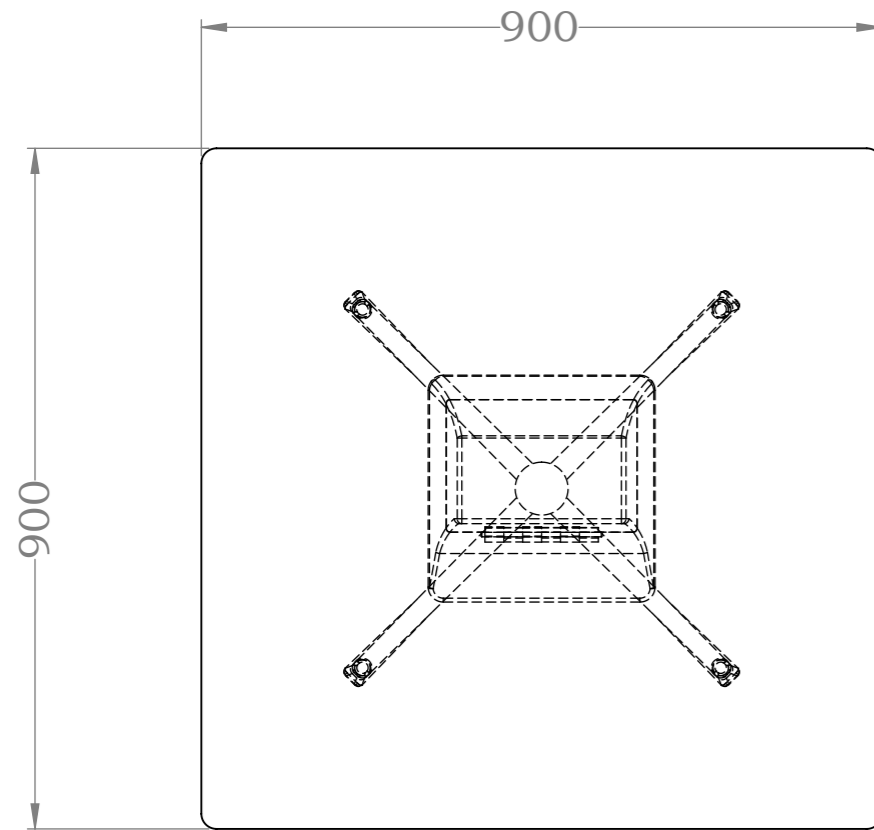
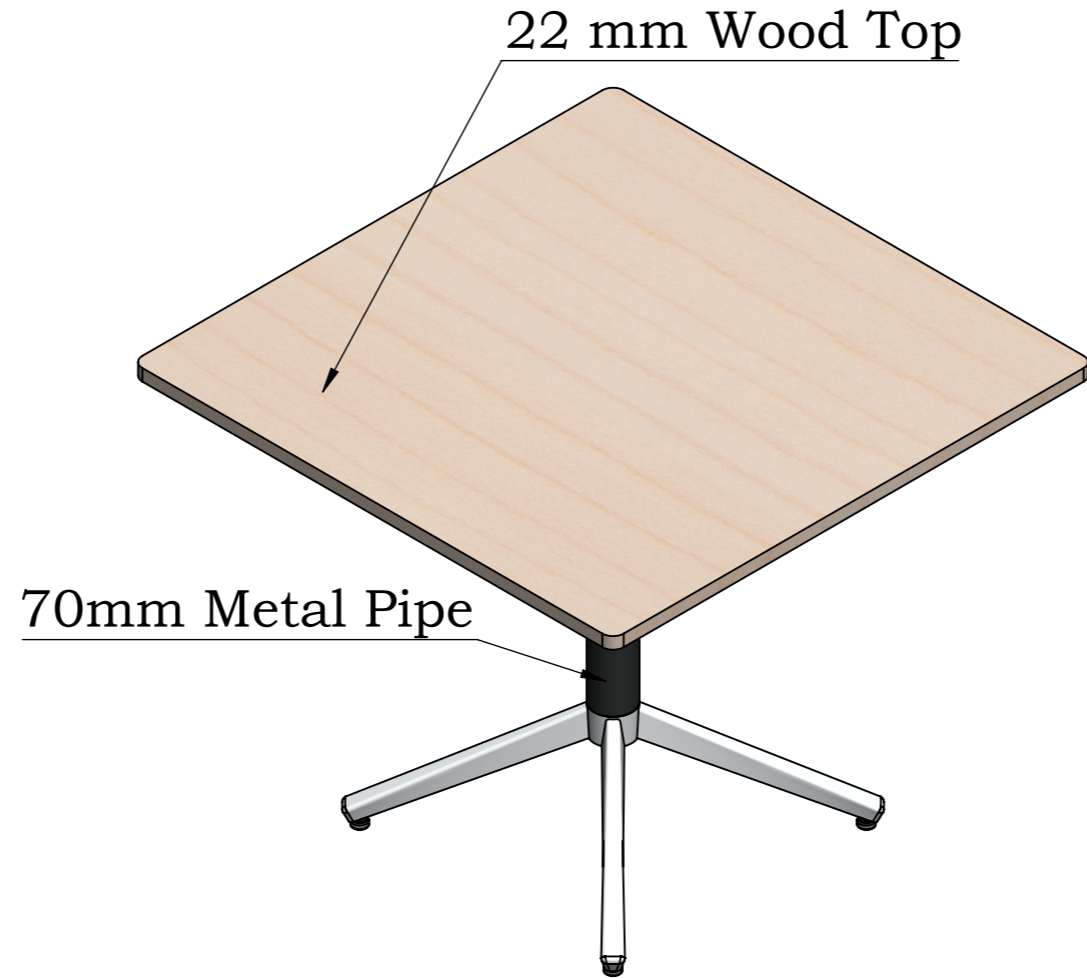


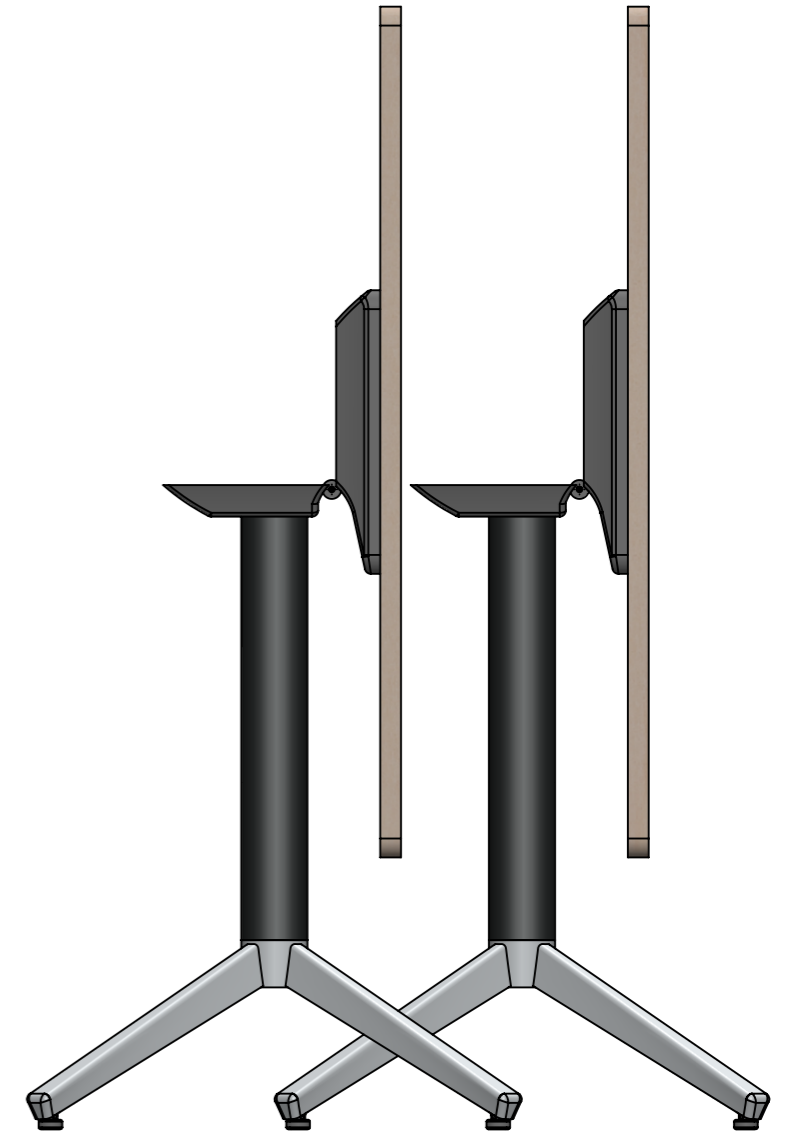
SQUARE FLIP TABLE - W900 X D900 X H750 MM



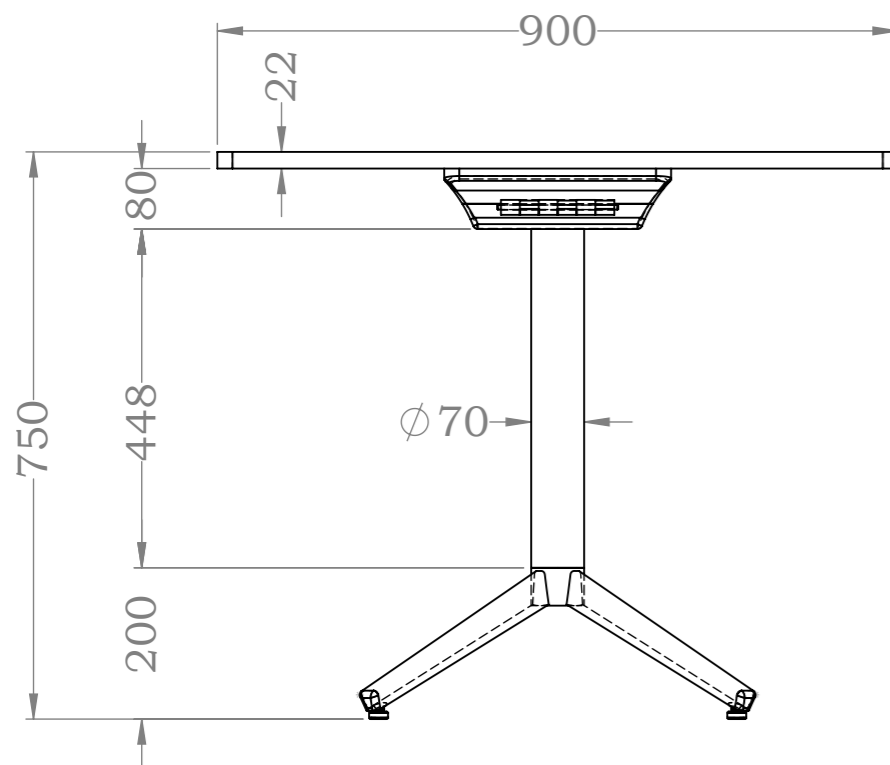
TOP VIEW



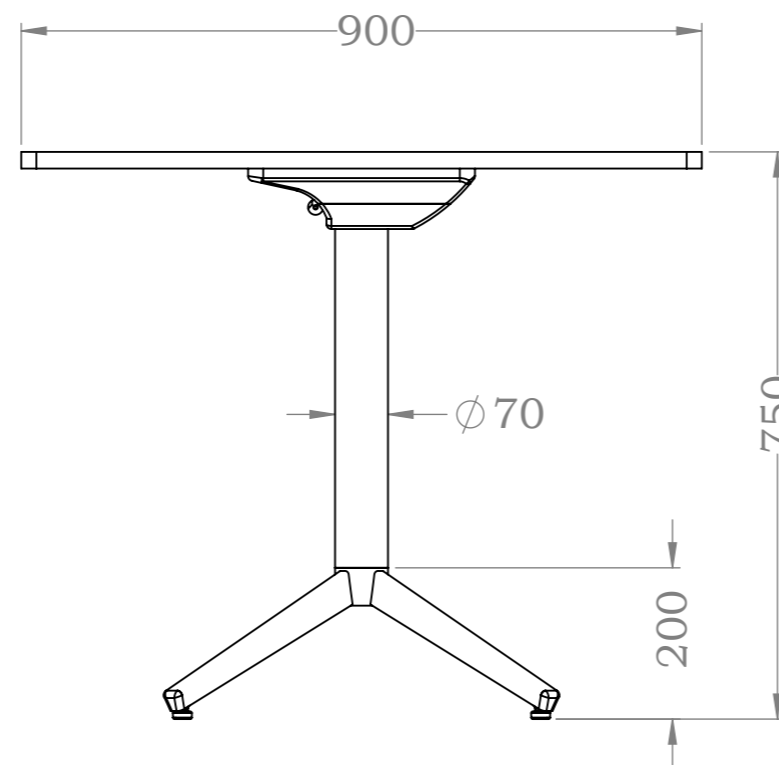
ISOMETRIC VIEW




FLIPED VIEW



FRONT VIEW



SIDE VIEW

UNLESS OTHERWISE SPECIFIED DIMENSIONS ARE IN MILLIMETERS SURFACE FINISH: TOLERANCES: LINEAR: ANGULAR:	DEBUR AND BREAK SHARP EDGES	DO NOT SCALE DRAWING	REVISION
	MATERIAL:	DWG NAME: FOLDABLE TABLE	A3 SCALE: 1:10
DRAWN BY : GYANJEET RAJ		 ITALIAN • INSPIRED • CUSTOMISED	
DATE : 23-04-2020			