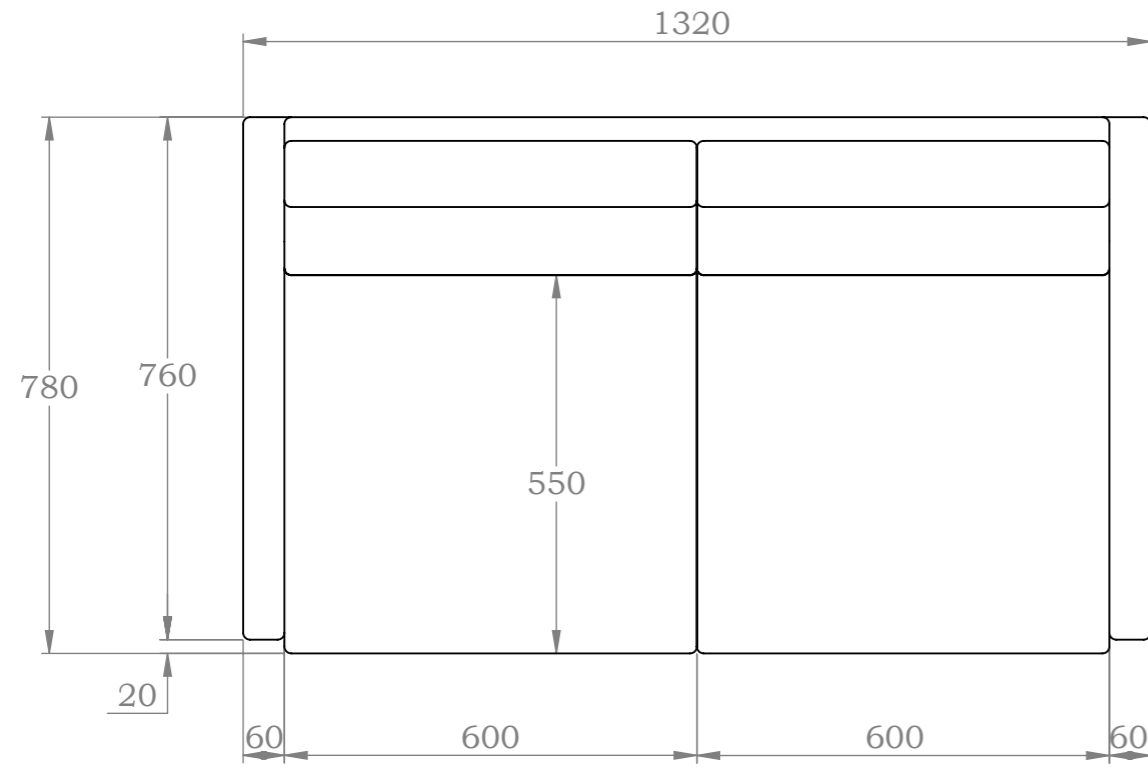
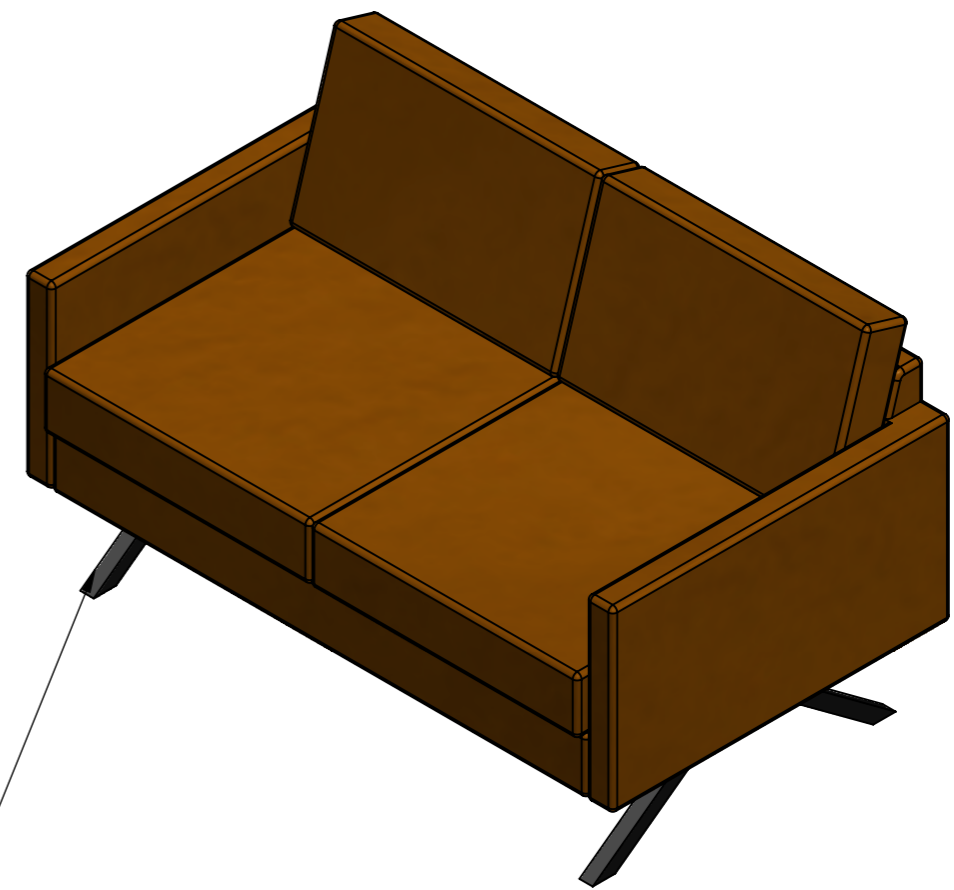


SOLITUDE SOFA - TWO SEATER - W1320 X D780 X H800 MM

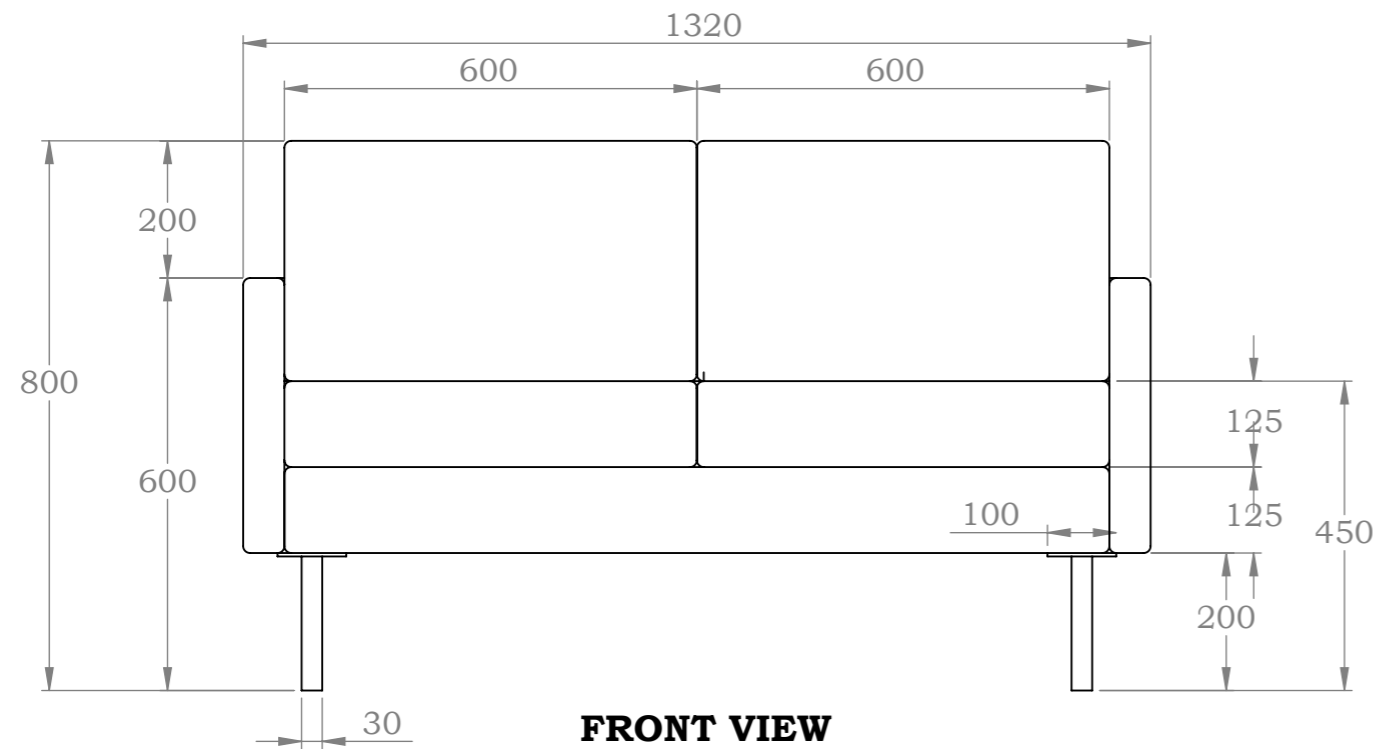


TOP VIEW

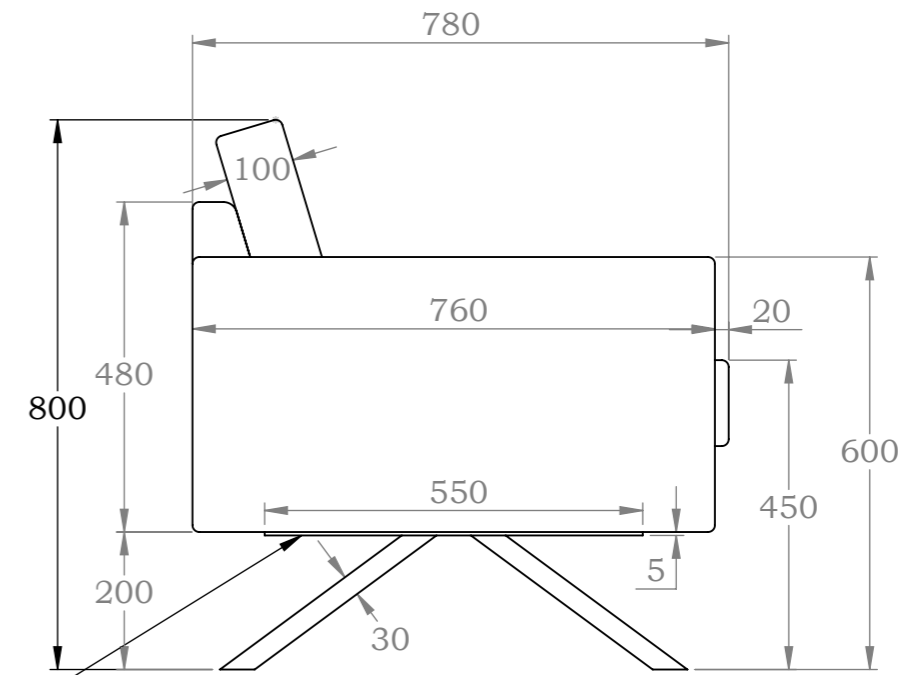


**30 x 30 MM
Metal Base**

ISOMETRIC VIEW




FRONT VIEW



SIDE VIEW

5 MM Metal Sheet

UNLESS OTHERWISE SPECIFIED DIMENSIONS ARE IN MILLIMETERS SURFACE FINISH: TOLERANCES: LINEAR: ANGULAR:	DEBUR AND BREAK SHARP EDGES	DO NOT SCALE DRAWING	REVISION
	MATERIAL:	DWG NAME: SOLITUDE	A3 SCALE: 1:09
DRAWN BY : GYANJEET RAJ		 ITALIAN • INSPIRED • CUSTOMISED	
DATE : 13-10-2020			