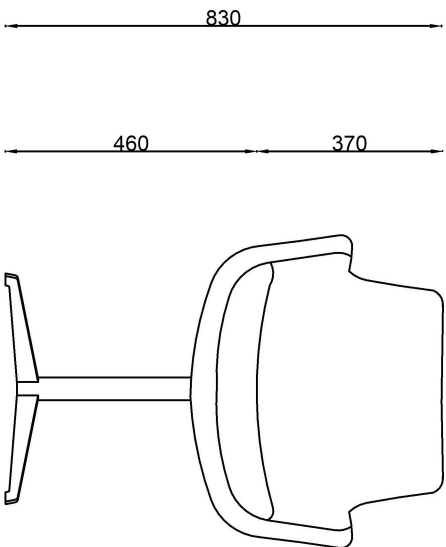
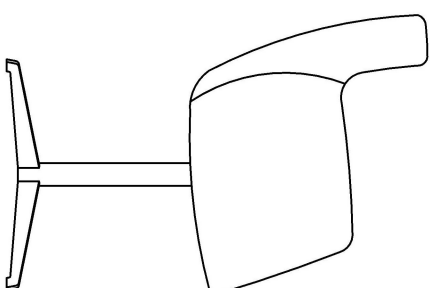


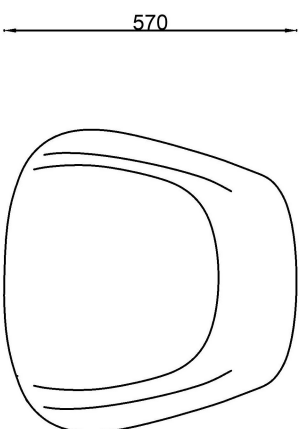
LOIRE CHAIR - W590 X D570 X H8300MM



830



570



590

UNLESS OTHERWISE SPECIFIED DIMENSIONS ARE IN MILLIMETERS SURFACE FINISH: LINEAR-ANGULAR	DEBUR AND BREAK SHARP EDGES	DO NOT SCALE DRAWING	REVISION
	PROJECT:	DWG NAME:	SCALE: A3

DRAWN BY:

DATE: